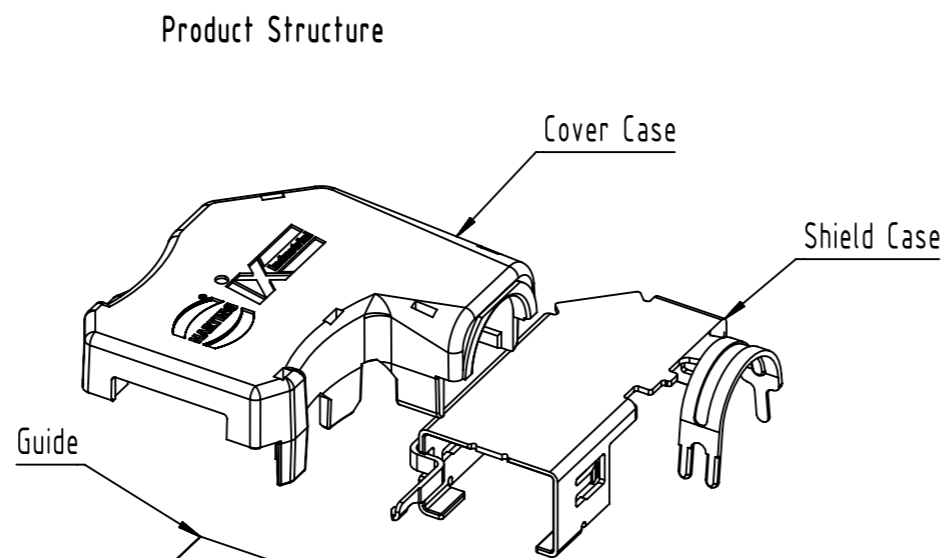
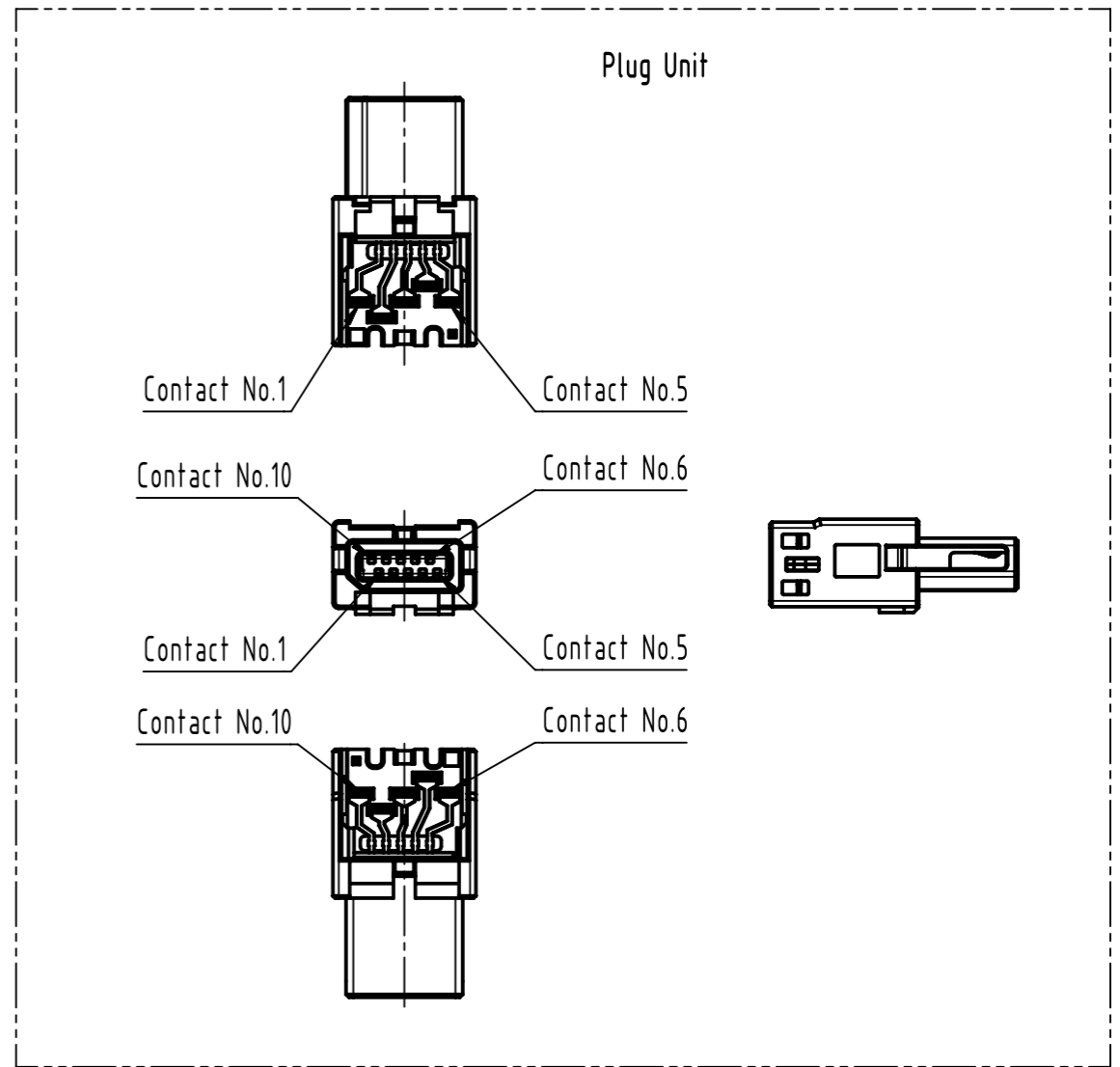
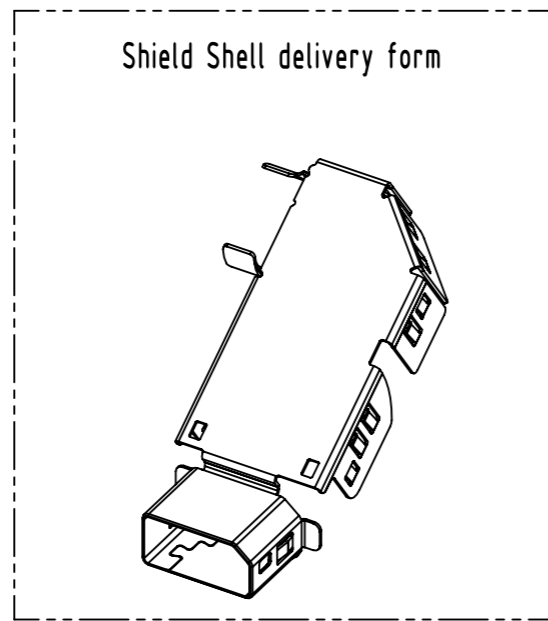


Applicable cable	
Items	Applicable condition
Conductor size	AWG 28-26
Insulation O.D.	Ø0,95 to 1,05 mm
Braid Shield	Tin plating
Sheath O.D.	Ø5,5mm - Ø7,2mm

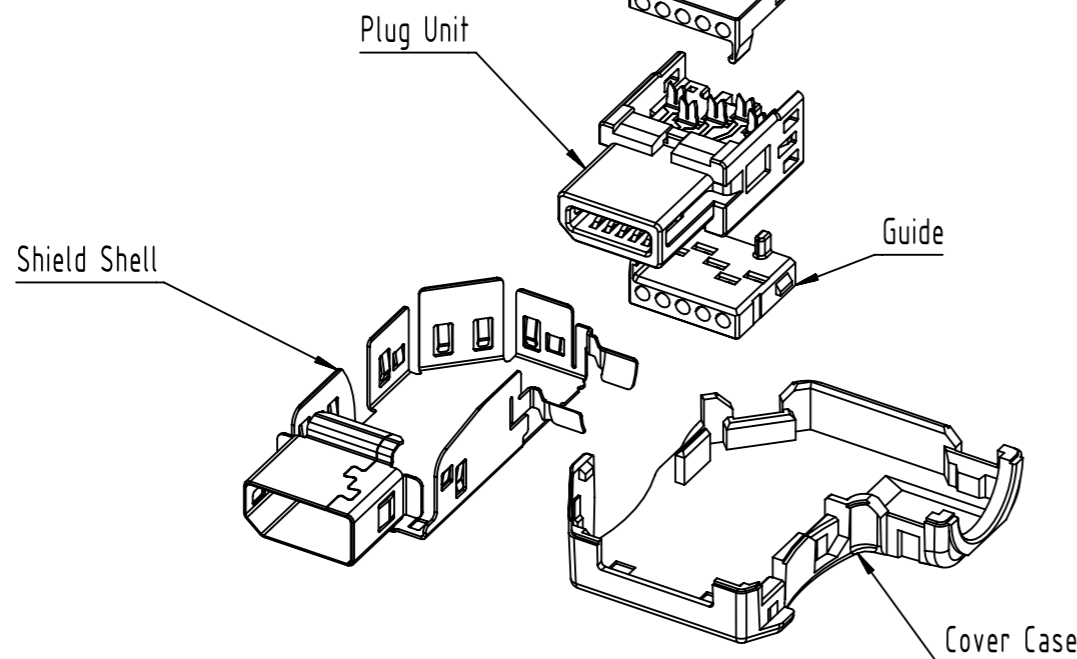
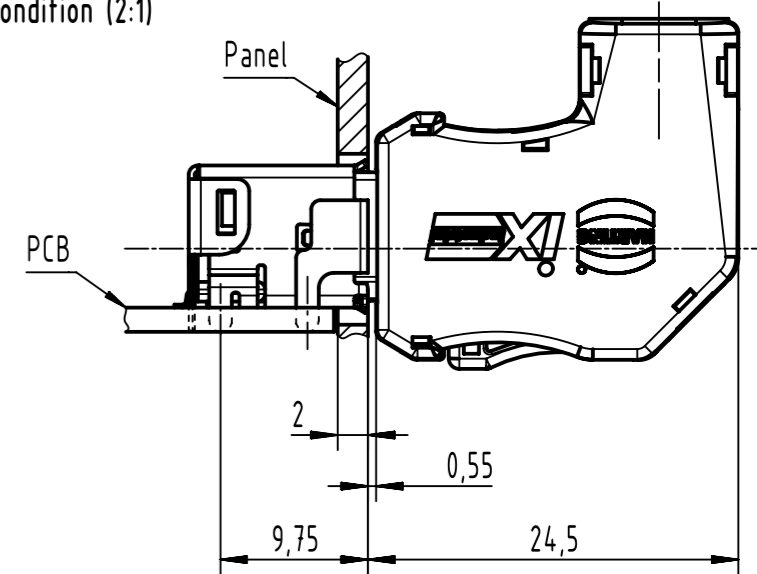
Pin	10/100 Mbit/s	1/10 Gbit/s
1	TX+	BI_DA+
2	TX-	BI_DA-
3	N.C.	N.C.
4	N.C.	BI_DC+
5	N.C.	BI_DC-
6	RX+	BI_DB+
7	RX-	BI_DB-
8	N.C.	N.C.
9	N.C.	BI_DD+
10	N.C.	BI_DD-

Contact material: copper alloy
 Contact area: Gold 0,2µm min.
 Wiring area: Gold 0,03µm min.
 Under plating: Nickel 2µm min.

All rights reserved Department EL PD		All Dimensions in mm Original Size DIN A3	Scale 2:1	Free size tol.	Ref. Sub.
HARTING D-32339 Espelkamp	Created by BALSAN	Inspected by PREOTU	Standardisation ROEBEN	Date 2022-05-20	State Final Release
Title ix Industrial 10A-1 plug A3-I26		Type TB		Number 09451812586XL	
				Doc-Key / ECM-Nr. 100903647/UGD/000/B 500000216903	Rev. B
				Page 1/2	



Mating condition (2:1)



	All rights reserved	Created by BALSAN	Inspected by PREOTU	Standardisation ROEBEN	Date 2022-05-20	State Final Release	Ref. Sub.
	Department EL PD	Title ix Industrial 10A-1 plug A3-I26				Doc-Key / ECM-Nr. 100903647/UGD/000/B 500000216903	
HARTING D-32339 Espelkamp	Type TB	Number 09451812586XL				Rev. B	Page 2/2